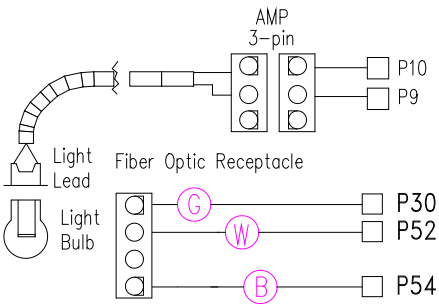
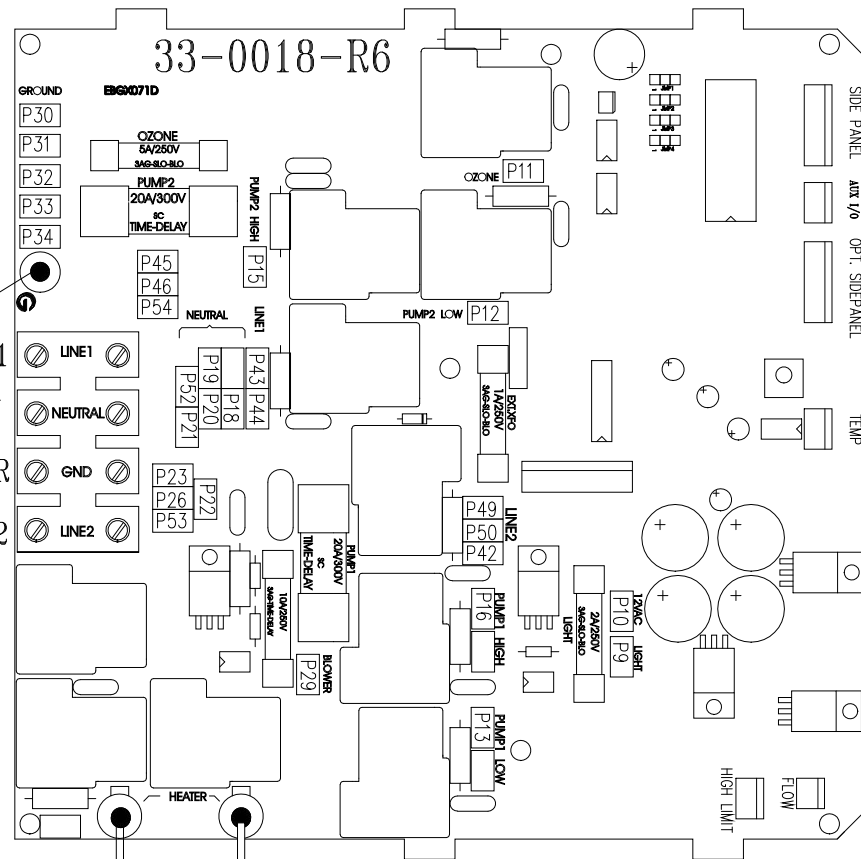
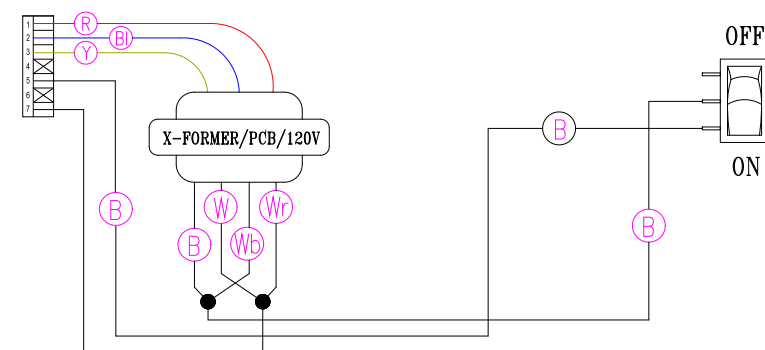
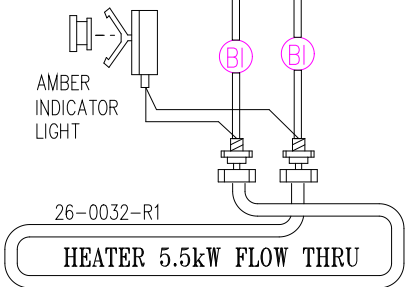
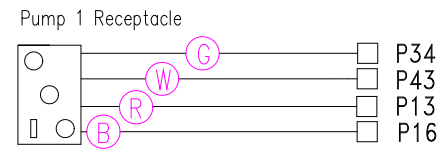
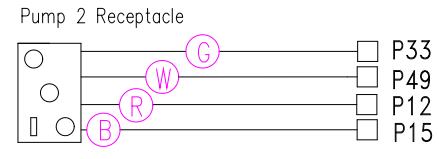
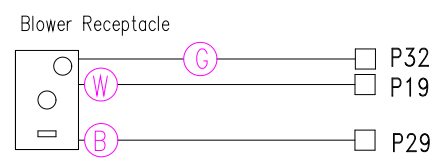
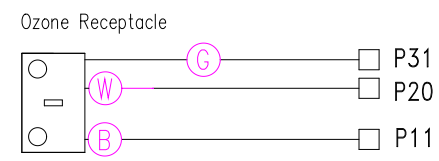


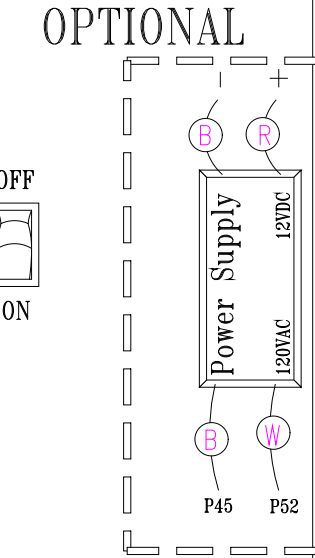
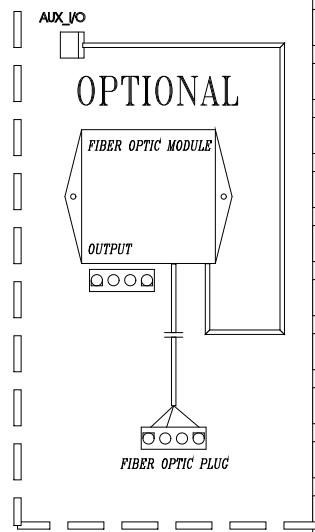
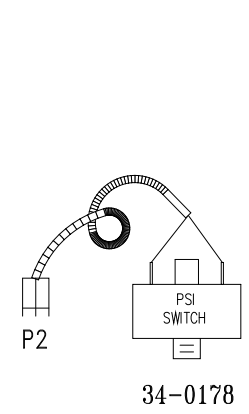
# 33-0018-R6



(GREEN)



LEGEND	
[Symbol]	- 1/4" QUICK CONNECT
[Symbol]	- 1/4" QUICK CONNECT PIGGYBACK
[Symbol]	- FORK CONNECTOR
[Symbol]	- RING CONNECTOR
[Symbol]	- SOCKET CONNECTOR
[Symbol]	- PIN CONNECTOR



**HYDRO-QUIP**  
CORONA, CA (909) 273-7575

Manufacture Notes:

Approved By:

Dwg. No. **H221A0-KPQY8**  
Sheet metal Part #: **65-0221**

Drawn BH  
Date 6.25.01  
Rev 20  
Diagram No. **4301-J**

Wire Color Code	
B - Black	G - Green
Br - Brown	Bl - Blue
R - Red	V - Violet
O - Orange	W - White
Y - Yellow	Gr - Gray